



ROCKET
RENTALS

JCB 145XR Excavator
Specification Sheet

Rocket Rentals is a one stop shop for all
your plant, access & tool hire needs.

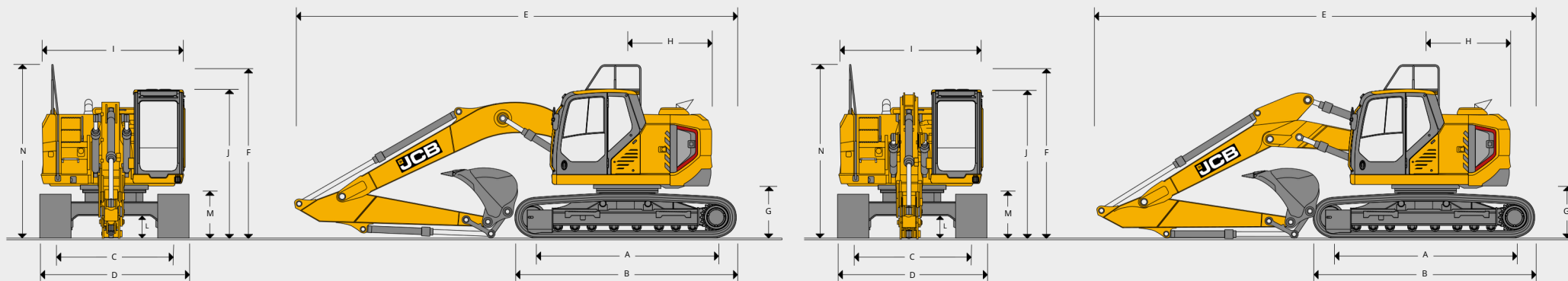
www.rocketrentals.co.uk

All of our JCB equipment is supplied by Holt JCB

HOLT JCB

JCB

STATIC DIMENSIONS



STATIC DIMENSIONS

Model		I45 XR						
Undercarriage variant		LC			HD			
A	Track length on ground	mm	2865			3170		
B	Undercarriage overall length	mm	3590			3967		
C	Track Gauge	mm	1990			2200		
D	Width over tracks (500mm track shoes)	mm	2490			-		
D	Width over tracks (600mm track shoes)	mm	2590			2800		
D	Width over tracks (700mm track shoes)	mm	2690			2900		
D	Width over tracks (800mm track shoes)	mm	-			3000		
D	Width over tracks (850mm track shoes)	mm	2840			-		
D	Width over tracks (900mm track shoes)	mm	-			3100		
G	Counterweight clearance	mm	920			1019		
H	Tail swing radius / Tail length	mm	1565			1565		
I	Overall width of superstructure	mm	2500			2500		
I	Overall width of superstructure (with cab grab handle)	mm	2523			2523		
J	Height over cab	mm	2863			2962		
L	Ground clearance	mm	426			472		
M	Track height	mm	810			897		
N	Overall height of upper structure with standard handrail	mm	3096			3195		
		Monoboomb						
Dipper lengths			2.5m	2.7m	3.0m	2.5m	2.7m	3.0m
E	Transport length	mm	7328	7357	7316	7450	7508	7483
F	Transport height with standard handrail	mm	3096	3096	3190	3195	3195	3195
		T.A.B						
Dipper lengths			2.5m	2.7m	3.0m	2.5m	2.7m	3.0m
E	Transport length	mm	7610	7563	7475	7762	7732	7656
F	Transport height with standard handrail	mm	3096	3096	3135	3195	3195	3195

ENGINE

Model	JCB DieselMAX 448 Stage V
Type	4 Stroke, 4 cylinder in-line, direct injection, turbocharged diesel
Rated power	81kW (109hp)
Piston displacement	4.8 litres
Air filtration	Dry element with secondary safety element and in cab warning indicator
Starting system	24 volt
Batteries	2 x 12 volt
Alternator	28 volt - 100 ampere
Maximum torque	516 N m
Bore & stroke	106mm x 112mm

SWING SYSTEM

Swing motor	Axial piston type
Swing brake	Hydraulic braking plus automatic spring applied disc type parking brake
Swing torque	36kNm
Swing speed	13.2rpm
Swing gear	Large diameter, internally toothed fully sealed great bath lubricated.
Swing lock	Switchable brake in cab

TRACK DRIVE

Type	Fully hydrostatic, two speed with autoshift	
Travel motors	Variable swash axial piston type, fully guarded with undercarriage frame	
Final drive	Planetary reduction, bolt-on sprockets	
Service brake	Hydraulic counterbalance valve	
Park brake	Disc-type, spring applied, automatic hydraulic release	
Gradeability	70% (35 degree) continuous	
	LC	HD
Travel speed	High - 5.3 km/h Low - 3.1 km/h	High - 4.3 km/h Low - 2.5 km/h
Tractive effort	127.5 kN	154.3kN

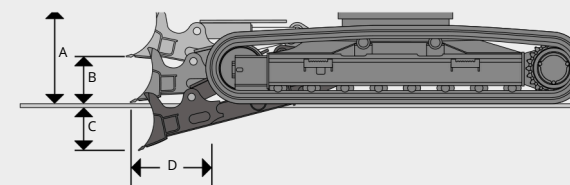
SERVICE CAPACITIES

Engine oil	litres	21
Swing reduction gear	litres	3.2
Track reduction gear	litres	2.1L (Standard) 4L (HD)
Hydraulic tank	litres	74
DEF fluid capacity	litres	18

HYDRAULIC SYSTEM

	2 variable displacement axial piston type
	2x131 l/min
	Gear type
	17 l/min
	314 bar
	343 bar
	279 bar
	343 bar
	40 bar
	105 micron, suction strainer
	10 micron, glass fibre element
	15 micron, glass fibre element
	10 micron, glass fibre element

OPTIONAL BLADE



A	Blade Height	mm	847
B	Blade lift above ground	mm	990
C	Blade cut below ground	mm	516
D	Blade forward of track	mm	418
	Dozer width - (500mm)	mm	2490
	Dozer width - (600mm)	mm	2610
	Dozer width - (700mm)	mm	2710

Additional machine weight with blade			
	500mm tracks	kg	796
	600mm tracks	kg	904
	700mm tracks	kg	911

SOUND LEVEL

Sound level in cab according to ISO 6396	68 dB LpA
External sound level according to ISO 6395 and EU Directive 2000/14/EC	101 dB LwA

ENGINE

Model	JCB DieselMAX 448 Stage V
Type	4 Stroke, 4 cylinder in-line, direct injection, turbocharged diesel
Rated power	81kW (109hp)
Piston displacement	4.8 litres
Air filtration	Dry element with secondary safety element and in cab warning indicator
Starting system	24 volt
Batteries	2 x 12 volt
Alternator	28 volt - 100 ampere
Maximum torque	516 N m
Bore & stroke	106mm x 112mm

SWING SYSTEM

Swing motor	Axial piston type
Swing brake	Hydraulic braking plus automatic spring applied disc type parking brake
Swing torque	36kNm
Swing speed	13.2rpm
Swing gear	Large diameter, internally toothed fully sealed great bath lubricated.
Swing lock	Switchable brake in cab

TRACK DRIVE

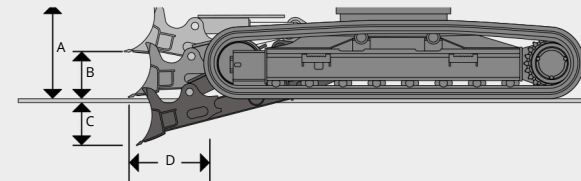
Type	Fully hydrostatic, two speed with autoshift	
Travel motors	Variable swash axial piston type, fully guarded with undercarriage frame	
Final drive	Planetary reduction, bolt-on sprockets	
Service brake	Hydraulic counterbalance valve	
Park brake	Disc-type, spring applied, automatic hydraulic release	
Gradeability	70% (35 degree) continuous	
	LC	HD
Travel speed	High - 5.3 km/h Low - 3.1 km/h	High - 4.3 km/h Low - 2.5 km/h
Tractive effort	127.5 kN	154.3kN

SERVICE CAPACITIES

Engine oil	litres	21
Swing reduction gear	litres	3.2
Track reduction gear	litres	2.1L (Standard) 4L (HD)
Hydraulic tank	litres	74
DEF fluid capacity	litres	18

HYDRAULIC SYSTEM

Pumps	
Main pumps	2 variable displacement axial piston type
Maximum flow	2x131 l/min
Servo pump	Gear type
Servo pump maximum flow	17 l/min
Control valve	
A combined four and five spool control valve with auxiliary service spool as standard	
Relief valve settings	
Boom/Arm/Bucket	314 bar
With power boost	343 bar
Swing circuit	279 bar
Travel circuit	343 bar
Pilot control	40 bar
Filtration	
In tank	105 micron, suction strainer
Main return line	10 micron, glass fibre element
Pilot line	15 micron, glass fibre element
Hydraulic hammer return	10 micron, glass fibre element

OPTIONAL BLADE

A	Blade Height	mm	847
B	Blade lift above ground	mm	990
C	Blade cut below ground	mm	516
D	Blade forward of track	mm	418
	Dozer width - (500mm)	mm	2490
	Dozer width - (600mm)	mm	2610
	Dozer width - (700mm)	mm	2710

Additional machine weight with blade

500mm tracks	kg	796
600mm tracks	kg	904
700mm tracks	kg	911

SOUND LEVEL

Sound level in cab according to ISO 6396	68 dB LpA
External sound level according to ISO 6395 and EU Directive 2000/14/EC	101 dB LwA

BUCKET AND ARM COMBINATION - MONOBOOM

Bucket options	GP Bucket						HD Bucket					
Bucket width mm	457	610	762	915	1067	1219	600	700	800	1000	1200	1300
Bucket capacity m ³	0.23	0.3	0.42	0.54	0.66	0.78	0.35	0.42	0.5	0.66	0.81	0.89
Bucket weight kg	284	308	346	394	442	478	336	364	402	455	520	547
	98 0/A 0 4 01	980/A0402	980/A0403	980/B0082	980/A0408	980/A0406	980/A9188	980/A9189	980/A9190	980/A9191	980/A9192	980/A9193
LC												
2.5m Quickhitch (No Quickhitch)	□	□	□	□	□	□	□	□	□	□	□	□ (□)
2.7m Quickhitch (No Quickhitch)	(□)	(□)	(□)	(□)	(□)	(□)	(□)	(□)	(□)	(□)	(□)	□ (□)
3.0m Quickhitch (No Quickhitch)	□	□	□	□	□	□	□	□	□	□	□	□ (□)
LC Dozer												
2.5m Quickhitch (No Quickhitch)	□	□	□	□	□	□	□	□	□	□	□	□ (□)
2.7m Quickhitch (No Quickhitch)	(□)	(□)	(□)	(□)	(□)	(□)	(□)	(□)	(□)	(□)	(□)	□ (□)
3.0m Quickhitch (No Quickhitch)	□	□	□	□	□	□	□	□	□	□	□	□ (□)
HD												
2.5m Quickhitch (No Quickhitch)	□	□	□	□	□	□	□	□	□	□	□	□
2.7m Quickhitch (No Quickhitch)	(□)	(□)	(□)	(□)	(□)	(□)	(□)	(□)	(□)	(□)	(□)	(□)
3.0m Quickhitch (No Quickhitch)	□	□	□	□	□	□	□	□	□	□	□	□
	(□)	(□)	(□)	(□)	(□)	(□)	(□)	(□)	(□)	(□)	(□)	(□)

BUCKET AND ARM COMBINATION - T.A.B

Bucket options	GP Bucket						HD Bucket					
Bucket width mm	457	610	762	915	1067	1219	600	700	800	1000	1200	1300
Bucket capacity m ³	0.23	0.3	0.42	0.54	0.66	0.78	0.35	0.42	0.5	0.66	0.81	0.89
Bucket weight kg	284	308	346	394	442	478	336	364	402	455	520	547
	98 0/A 0 4 01	980/A0402	980/A0403	980/B0082	980/A0408	980/A0406	980/A9188	980/A9189	980/A9190	980/A9191	980/A9192	980/A9193
LC												
2.5m Quickhitch (No Quickhitch)	□	□	□	□	□	□	□	□	□	□	□	□
2.7m Quickhitch (No Quickhitch)	(□)	(□)	(□)	(□)	(□)	(□)	(□)	(□)	(□)	(□)	(□)	(□)
3.0m Quickhitch (No Quickhitch)	□	□	□	□	□	□	□	□	□	□	□	□
LC Dozer												
2.5m Quickhitch (No Quickhitch)	□	□	□	□	□	□	□	□	□	□	□	□
2.7m Quickhitch (No Quickhitch)	(□)	(□)	(□)	(□)	(□)	(□)	(□)	(□)	(□)	(□)	(□)	(□)
3.0m Quickhitch (No Quickhitch)	□	□	□	□	□	□	□	□	□	□	□	□
HD												
2.5m Quickhitch (No Quickhitch)	□	□	□	□	□	□	□	□	□	□	□	□
2.7m Quickhitch (No Quickhitch)	(□)	(□)	(□)	(□)	(□)	(□)	(□)	(□)	(□)	(□)	(□)	(□)
3.0m Quickhitch (No Quickhitch)	□	□	□	□	□	□	□	□	□	□	□	□
	(□)	(□)	(□)	(□)	(□)	(□)	(□)	(□)	(□)	(□)	(□)	(□)
	□	□	□	□	□	□	□	□	□	□	□	□
	(□)	(□)	(□)	(□)	(□)	(□)	(□)	(□)	(□)	(□)	(□)	(□)

□ = Suitable for general excavating materials up to 2000kg/m³.
 □ = Suitable for grading and loading materials up to 1600kg/m³.
 □ = Suitable for light excavating materials up to 1200kg/m³.

These recommendations are given as a guide based on typical operating conditions.
 Please contact your distributor for the correct selection of buckets and attachments to suit the application.

UNDERCARRIAGE

Construction	Fully welded 'X' frame type with central belly guarding and sloping side members with dirt relief holes under top rollers					
Recovery point	Front and rear					
Upper and lower rollers	Heat treated, sealed and lubricated					
Track adjustment	Grease cylinder type					
Track idler	Sealed and lubricated, with spring cushioned recoil					
Track type	Sealed and lubricated					
Track shoe options	500mm	600mm	700mm	800mm	850mm	900mm
	LC	LC	LC		LC	
		HD	HD	HD		HD
	LC			HD		
No. of upper rollers	2			2		
No. of lower rollers	7			7		
No. of track guides (option)	1 or 2			1 or 2		
No. of track shoes	44			43		

WEIGHTS AND GROUND BEARING PRESSURES

0.59m ³ bucket 442kg, operator 75kg, full fuel tank and 3.0m dipper, quarry handrail & ROPS/FOPS Guards							
Track Shoe options							
	500mm	600mm	700mm	800mm	850mm	900mm	
LC MonoBoom							
Machine weight	kg	15 643	15847	16048	-	16366	-
Ground bearing pressure	kg/cm ²	0.55	0.46	0.4	-	0.34	-
LC T.A.B.							
Machine weight	kg	16142	16346	16547	-	16885	-
Ground bearing pressure	kg/cm ²	0.56	0.48	0.41	-	0.35	-
LC MonoBoom							
Machine weight	kg	-	17645	17880	18136	-	18372
Ground bearing pressure	kg/cm ²	-	0.46	0.4	0.36	-	0.32
HD T.A.B.							
Machine weight	kg	-	18144	18379	18635	-	18871
Ground bearing pressure	kg/cm ²	-	0.48	0.41	0.37	-	0.33
LC Monoboomb Dozer							
Machine weight	kg	16438	16851	16859	-	-	-
Ground bearing pressure	kg/cm ²	0.57	0.49	0.42	-	-	-
LC T.A.B. Dozer							
Machine weight	kg	16938	17151	17359	-	-	-
Ground bearing pressure	kg/cm ²	0.59	0.5	0.43	-	-	-



Proud to stock a number of JCB ranges including:

TRACKED EXCAVATORS

TELEHANDLERS

SITE DUMPERS

TANDEM ROLLERS

GENERATORS

ROCKET
RENTALS

For more information, visit our website at www.rocketrentals.co.uk

For plant hire services in the Gloucester area, get in touch with the team at Rocket Rentals Ltd. on:

Plant and Access Hire
01453 51 95 51
hire@rocketrentals.co.uk

Tool Hire
01453 51 94 51

Accounts
01453 51 95 51
accounts@rocketrentals.co.uk